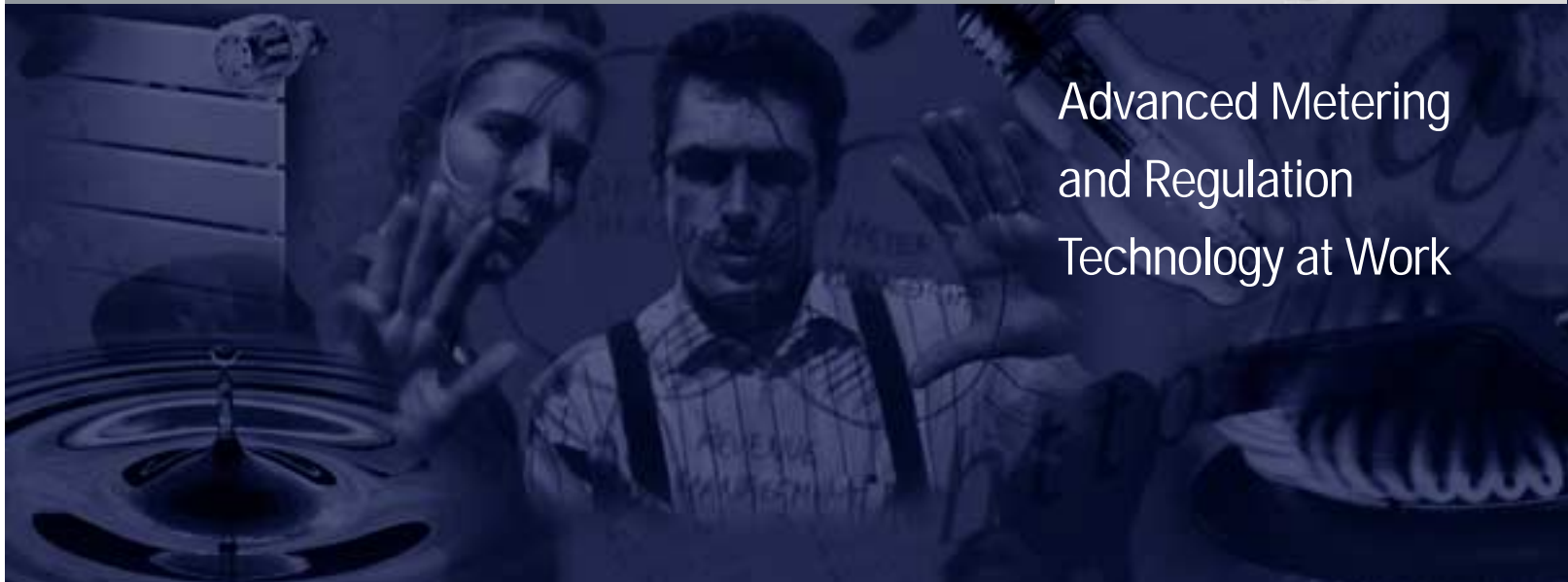




RB1700 Series Commercial Regulator



Advanced Metering
and Regulation
Technology at Work



Pressure Regulator RB 1700

Benefits

- Accurate regulation
- Fast response
- Easy maintenance
- Compact size
- Wide Range of outlet pressure
- Horizontal or Vertical mounting

Description

The RB 1700 is a direct-acting, spring-loaded regulator

The balanced valve design ensures a constant outlet pressure when the upstream pressure varies. This eliminates the need for orifice size changes arising from the different inlet pressure ranges.

Applications

The RB 1700 regulator is designed for commercial applications: industrial boilers and furnaces, appliance pressure regulation, secondary regulation of plant distribution piping, and all installations with continuous consumption and rapid flow rate variations, such as burners, industrial ovens, boilers, etc.

Suitable for installation in cabinets, as a space saving regulator.

Model Designations

R	X	X	1	7	X	X	Options
	B						Balanced Valve Design
		E					External Registration
				1			Low pressure (7" w.c. – 3.0 psig):
				2			Medium pressure (1.7 - 13.0 psig)
				3			High pressure (7.3 – 36.0 psig)
				0			No safety devices
					1-1/2"		1-1/2" body - Orifice Size: 1-1/8"

Example: RBE1720 with 1-1/2" body is a 1700 series regulator with balanced valve, an External Control line, and 1-1/2" NPT Valve body connection

Principle of Operation (See Operating Schematic below)

The RB1700 employs a direct-acting spring-loaded design that allows for extremely fast response as well as reliable closure during no-load conditions.

orifice face and decrease the flow through the valve until it matches the downstream demand.

Increasing Load Condition:

As downstream demand increases, the downstream pressure begins to fall, which, in turn causes the sensing line pressure and the pressure under the main diaphragm to decrease. When the pressure under the main diaphragm drops, the spring force is able to move the diaphragm downward and, thus, the main valve further open to meet the increased demand.

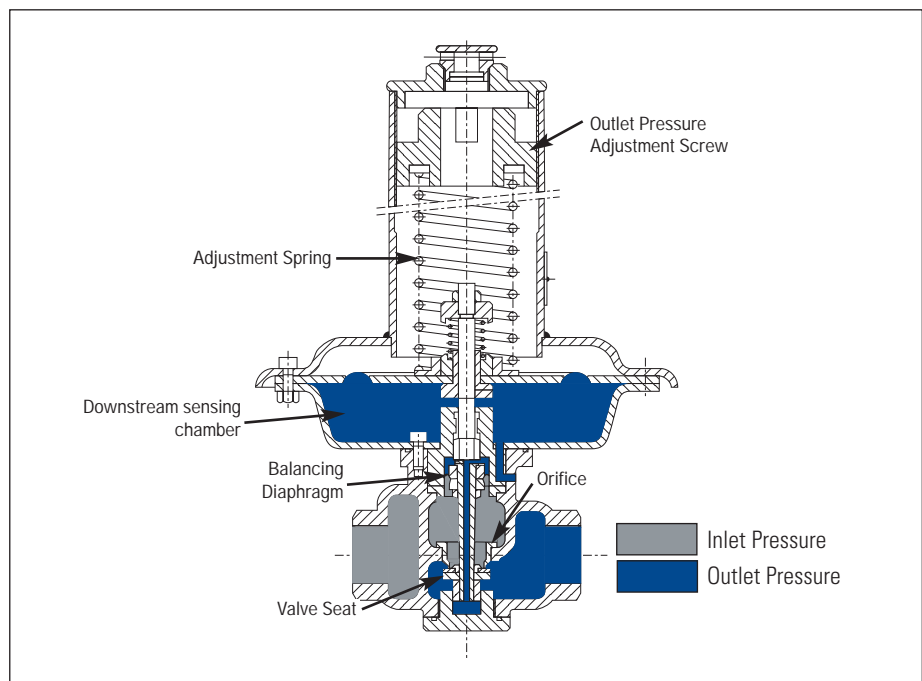
No Load (lock-up) Condition:

As the downstream load is shut-off, the pressure begins to rise in the sensing line and under the main diaphragm. The pressure under the main diaphragm overcomes the spring force and moves the diaphragm upward. The pressure rises enough to push the rubber valve seat against the stainless steel orifice, forming a positive seal during no-load conditions.

Decreasing Load Condition:

As the downstream load is decreased, the pressure begins to rise in the sensing line and under the main diaphragm. The pressure under the main diaphragm overcomes the spring force and moves the diaphragm upward. This allows the valve to move closer to the

RB1700 Operating Schematic



Specifications

Construction

Valve body	Ductile Iron
Orifice	Stainless Steel
Valve seat	Brass with vulcanized Buna-N
Valve stem	Stainless Steel
Valve stem bushings	Nylon
"O"-ring Seals	Buna-N Nitrile Rubber
Diaphragm	Buna-N and nylon reinforcing fabric
Adjustment screw	Brass
Diaphragm case	Stamped Steel

Shipping Weight

1 Regulator per box
Weight per box: 35 lbs.

Correction factors for non-natural gas applications

The RB1700 may be used to control gases other than natural gas. To determine the capacity of the RB1700 for gases other than natural gas, it will be necessary to multiply the values within the capacity tables by a correction factor. The table below lists the correction factors for some of the more common gases:

Gas Type	Specific Gravity	Correction Factor (CF)
Air	1.0	0.77
Butane	2.01	0.55
Carbon dioxide (Dry)	1.52	0.63
Carbon monoxide (Dry)	0.97	0.79
Natural gas	0.60	1.00
Nitrogen	0.97	0.79
Propane	1.53	0.63
Propane-air-mix	1.20	0.71

To calculate the correction factor for gases not listed on the table above, it will be necessary to know the specific gravity of the gas and use it in the formula listed below:

Correction Factor (CF) =

$$\sqrt{SG_1/SG_2}$$

Where:

SG₁ = Specific Gravity of the gas in which the capacity is published.

SG₂ = Specific Gravity of the gas to be controlled.

Spring Range Data

Part Number	Spring Color	Model Number		
		RB1710 (14" diaphragm)	RB1720 (8" diaphragm)	RB1730 (8" diaphragm)
20567075	Yellow	6.8 – 9.2" w.c.	---	---
20567076	Red	8.4 – 12.8" w.c.	---	---
20567662	White	10.9 – 21.2" w.c.	---	---
20567663	Purple	0.3 – 1.4 psig	1.9 – 5.3 psig	---
20567664	Orange	1.2 – 3.0 psig	2.9 – 8.7 psig	---
20567665	Brown	---	4.4 – 9.4 psig	7.3 – 14.5 psig
20567666	Green	---	5.8 – 13.0 psig	8.7 – 19.5 psig
20567761	Black	---	---	11.6 – 21.7 psig
20567762	Grey	---	---	16.0 – 36.0 psig

Maximum Inlet Pressure	230 psig
Outlet pressure Range	6.8" w.c. – 36.0 psig
Temperature range	-20°F to +140°F
Acceptable gases	Natural gas, propane, butane, air, nitrogen or any non-corrosive gas
Mounting Position	Horizontal or vertical
Pressure Registration	External (control line required - 1/4" NPT)
Vent Connection	1/4" NPT
Valve Body Sizes	1-1/2" NPT
Orifice Sizes	1-1/8"
Other Available Options	- Seal wire to indicate unapproved tampering

Valve Body Sizes and Flow Coefficients (K-factors)

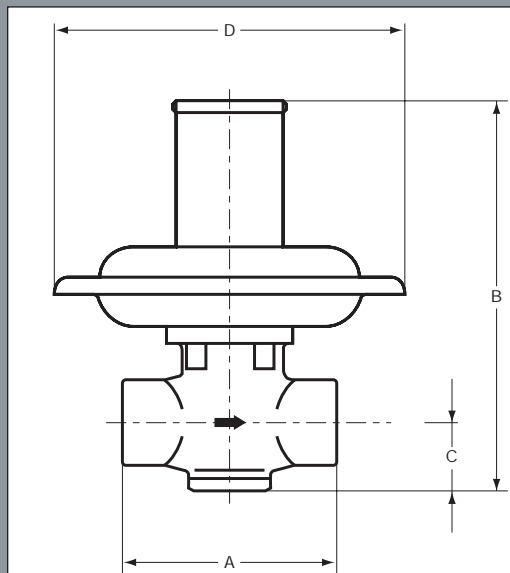
Inlet	Outlet	Orifice Diameter (inches)	Wide-Open Flow Coefficient (K-Factor)
1-1/2"	1-1/2"	1-1/8"	1120

For wide-open orifice flow calculations use the following equations:

For $P_1/P_2 < 1.89$ use: $Q = K\sqrt{P_2(P_1 - P_2)}$ Where: P_1 = absolute inlet pressure (psia)
 P_2 = absolute outlet pressure (psia)
 Q = flow rate (scfh)
 K = orifice coefficient (scfh/psi)

For $P_1/P_2 > 1.89$ use: $Q = K P_1^{1/2}$

RB1700 Dimensions (in inches)



Dimensions (inches)	Model	
	1710	1720 1730
A	5.9	5.9
B	15.7	13.8
C	2.4	2.4
D	14.0	8.0
Weight (lbs.)	33	28

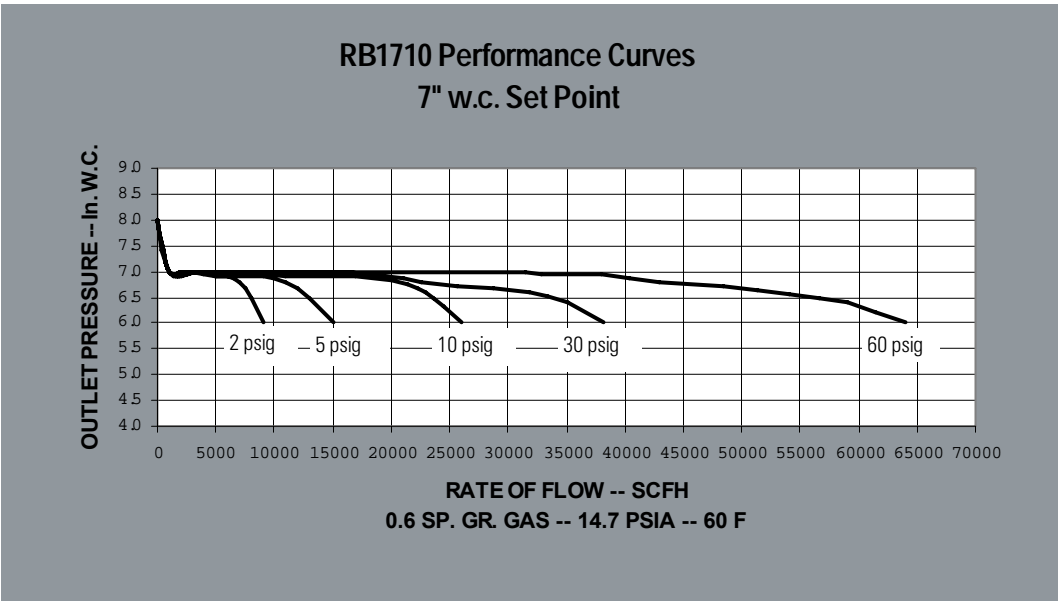
Capacity Data

(capacities in SCFH of 0.6 S.G. gas; Base condition of 14.7 psia and 60°F)

Inlet Pressure (psig)	Model RB1710				Model RB1720		
	Outlet Pressure						
	7" w.c.	11" w.c.	14" w.c.	1 psig	2 psig	5 psig	10 psig
	1" w.c. Droop Yellow Spring Part #20567075	2" w.c. Droop Red Spring Part #20567076	2" w.c. Droop White Spring Part #20567662	0.1 psi Droop (0.2 psi Droop) Purple Spring Part #20567663	0.2 psi Droop (0.4 psi Droop) Orange Spring Part #20567664	0.5 psi Droop (1 psi Droop) Purple Spring Part #20567663	1 psig Droop 2 psig Droop Green Spring Part #20567666
8" w.c.	2300						
10" w.c.	2800						
12" w.c.	3000	3000					
14" w.c.	3700	3600					
16" w.c.	4300	4000	3900				
18" w.c.	5100	4400	4200				
24" w.c.	5600	4900	4600				
1	6000	5500	5300				
2	9000	9500	9200	7000 (9200)			
3	11500	12000	11500	10500 (12000)	5500 (8000)		
5	15000	16000	15300	13500 (15000)	10500 (13000)		
10	26000	24500	23600	18500 (22000)	15500 (18500)	13500 (19500)	
20	33000	31500	30500	29500 (31000)	27000 (34000)	24000 (32500)	22000 (29000)
30	38100	38000	36900	34000 (38000)	31300 (35500)	33000 (38700)	30500 (39000)
40	47000	46500	45000	41650 (46500)	38300 (43500)	36100 (47300)	36000 (46800)
50	55200	55000	53000	49300 (55000)	45500 (51400)	42700 (56000)	42500 (55300)
60	63800	63500	61500	56900 (63500)	52300 (59400)	49300 (64600)	49100 (63900)
70	72300	72000	69500	64500 (72000)	59600 (67300)	55900 (73300)	55700 (72400)
80	80800	80500	78500	72100 (80500)	66000 (75000)	62500 (82000)	62300 (81000)
90	89400	89000	86300	79700 (89000)	73500 (83200)	69100 (90500)	68900 (89500)
100	97900	97500	95000	87300 (97500)	80000 (91100)	75700 (99200)	75400 (98100)
125	119200	118700	114000	106000 (118700)	98000 (111000)	92200 (120800)	91800 (119400)
Lock-Up Pressure	8.2" w.c.	11.9" w.c.	14.7" w.c.	1.3 psig	2.2 psig	5.1 psig	10.3 psig

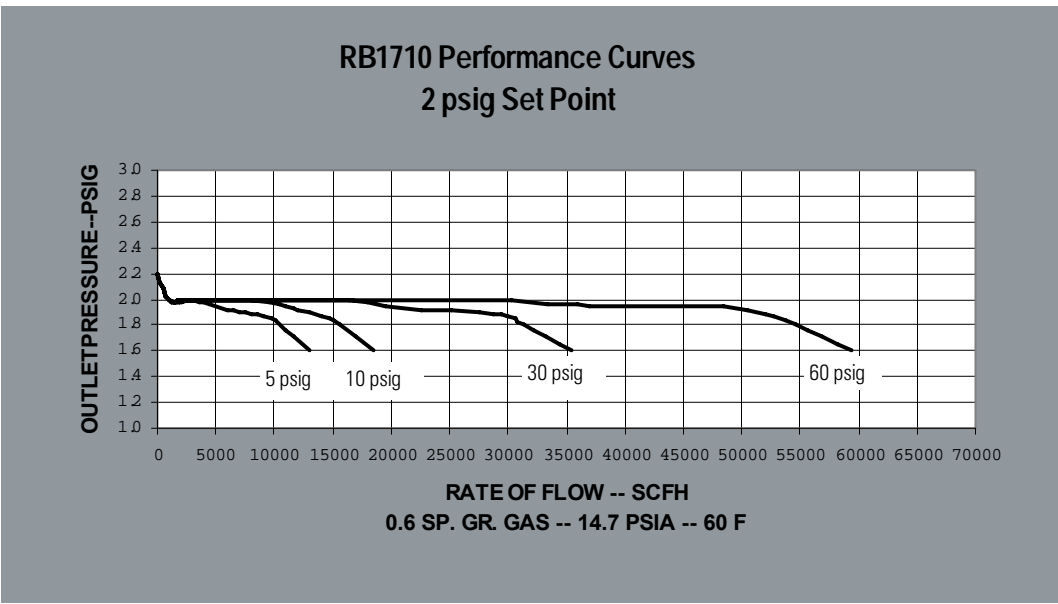
**RB1700 TYPICAL
PERFORMANCE CURVES**
7" w.c. Set Point

Model RB1710
Inlet Size 1-1/2" NPT
Outlet Size 1-1/2" NPT
Orifice Size 1-1/8"



**RB1700 TYPICAL
PERFORMANCE CURVES**
2 psig Set Point

Model RB1720
Inlet Size 1-1/2" NPT
Outlet Size 1-1/2" NPT
Orifice Size 1-1/8"



Installation

Before installing the pressure regulator in the piping, the following must be checked:

- the pressure regulator must be capable of being fitted without undue stress to the valve body.
- the upstream piping must be cleaned from all impurities (sand, welding slag, etc.)
- the pressure regulator must not be visibly damaged.
- the inlet and outlet chambers of the pressure regulator must be perfectly clean.

After these checks have been made, the unit can be installed in the piping, making sure that the direction of gas flow corresponds to the arrow on the pressure regulator's body.

NOTE: It is recommended the valve body installed in horizontal alignment.

The following are also recommended:

- A electrically insulating joint upstream and downstream, if the incoming and outgoing piping is made with ferrous material.
- An ON/OFF valve upstream and downstream of the pressure regulator.
- A manometer or pressure gauge upstream and downstream from the pressure regulator.
- An upstream filter.
- A relief valve downstream for start-up and changes in pressure setting
- A relief valve for accidental over-pressure (example: the exposure of the downstream piping to direct sunlight at zero flow).
- Enough clearance around the regulator to perform

Key

No.	Description
1	Upstream valve
2	Differential pressure gauge
3	Strainer/Filter
4	Upstream pressure gauge
5	Regulator/Monitor
7	Pressure gauge
8	Monitor Regulator
9	Shutoff valve impulse
10	Regulator impulse
11	Monitor regulator impulse
12	Downstream pressure gauge
13	Discharge vent pipe
14	Downstream valve
15	Upstream isolating connection
16	Discharge vent pipe
17	Regulator vent
18	Meter
19	Peak shaving valve
20	Downstream electrical insulating connection

maintenance operations

- If the case of an ON/OFF gas load, the downstream volume must be greater than 1 ft³ per 1000 ft³/hr. of flowrate.

All variations in diameter downstream must be performed progressively in order to prevent negative turbulence.

Avoid locating the control line piping:

- Near sources of heat
- Direct sun light.

The pressure regulator's control line must be connected to the downstream pipe. These connections must be inserted in a straight section of the downstream piping as indicated in the installation diagram (Figure 4).

For this purpose, we recommend welding the control line connections on the upper part of the piping in order to prevent impurities and condensate from collecting and obstructing the passage of the gas. It is also important to make sure that the control line piping slopes slightly downwards to the pipe. For adequate operation, the gas velocity at the control line position in the pipe, must not exceed those given below:

Low pressure
< 2.9 psig: 50-65 ft/s
Med/high pressure
> 2.9 psig: 65-130 ft/s

Start-Up Procedure

After the pressure regulator has been installed, make sure that:

- the on/off valve upstream (1) and downstream (14) and the bleeder valve (13) are all closed.

After these checks have been made, proceed as follows :

- partially open the upstream on/off valve (1) slowly just enough to make sure that a very small amount of gas passes;
- check that the pressure rises slowly on the gauges (4) and (12); the downstream pressure should stabilize around the pre-set set value or a value slightly higher (if the pressure continues to rise, discontinue the starting

procedure by closing the upstream on/off valve (1) and consult the trouble-shooting diagram to identify the cause of the malfunction);

- after the upstream pressure value has stabilized, open the on/off valve (1) completely;
- then slowly open the downstream on/off valve (14) until the piping is completely filled.

The pressure regulator is now ready for operation.

Outlet Pressure Adjustment

The pressure regulator is usually delivered already set to the specifications indicated in the order. Whenever the set pressure must be modified, this value must be set within the setting range of the spring installed.

After first checking the suitability of the spring installed to achieve the desired setting value, proceed as follows:

- **To increase the value of the set pressure:**
rotate the spring adjustment ferrule nut clockwise using the adjustment wrench until the desired value is reached (Note: Model RB1710 requires a 1" socket for adjustment; Models RB1720 and RB1730 required adjustment tool Part #799056)
- **To decrease the value of the set pressure:**
proceed as above, rotating the spring adjustment ferrule counter-clockwise.

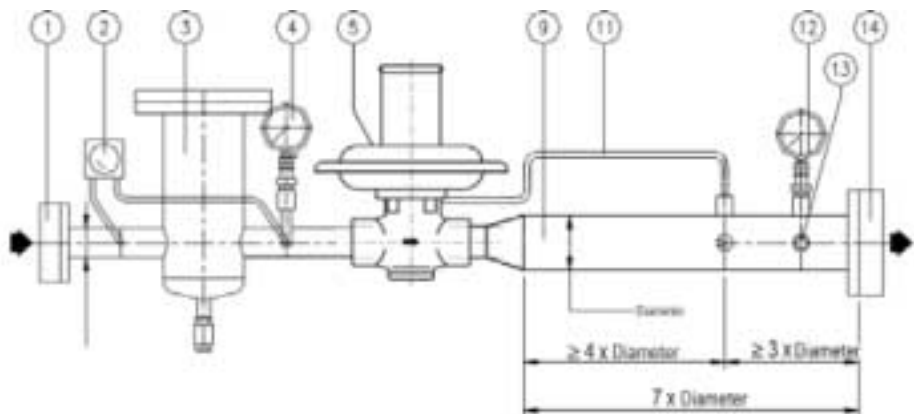


Fig. 4

Trouble-Shooting Guide

Malfunction	Possible Problem	Solution
Hunting or pulsating	Dirt	Clean moving parts
	Erroneus pressure sensing location	Check
	Undersized downstream piping	Check
	Spring seal cap not in place	Install spring seal cap
	Balancing diaphragm	Replace
	Diaphragm	Replace
	Adjustment spring	Check and replace if necessary
Excessive tolerance setting between min & max operation levels	Compensation diaphragm	Damaged → Check Incorrect assembly → Check
	Adjustment spring	Check
	Diaphragm	Damaged → Replace Incorrect assembly → Check
	Erroneus pressure sensing location	Check
Reg. won't "lock-up"	Valve seat	Damaged → Replace Incorrect hardness → Check
Slow response to changes in flow	Anti-pumping valve	Check
	Dirt on valve stem	Clean
	Insufficient downstream volume	Check
	Erroneus pressure sensing location	Check
Imperfect seal at regulator "lock-up"	O-ring in valve seat worn-out	Replace
	Valve seat worn-out	Replace
	Dented valve seat	Check
	Stem jammed by debris	Check and clean
	Valve plug fails to close	Foreign bodies on valve seat → Clean Valve seat broken → Replace
	Setting above spring limits	Crushed spring pack → Replace
	Imperfect diaphragm assembly	Erroneous assembly → Check Loosened → Check and fasten
	Balancing diaphragm	Loosened → Check and fasten Damaged → Replace
Regulator fully open	Diaphragm damaged	Replace
	Sensing line not connected	Check
	Sensing line broken	Replace
Low upstream pressure	Check filter	Check and change cartridge
	Check opening of upstream valve	Check
Low downstream pressure	Demand in excess of Max. flow rate	Check max regulator flow

Ordering Information

Specify:

- 1. Inlet and Outlet Connection Size and Type
- 2. Model Number
- 3. Outlet pressure desired
- 4. Inlet pressure range
- 5. Type of gas and maximum capacity required

Warranty

Actaris U.S. Gas, 970 Highway 127 North, Owenton, Kentucky 40359-9802, warrants this gas product against defects in materials and workmanship for the earlier of one (1) year from the date the product is shipped by Actaris or a period of one year from the date the product is installed by Actaris at the original purchaser's site. During such one-year period, provided that the original purchaser continues to own the product, Actaris will, at its sole option, repair any defects, replace the product or repay the purchase price.

This warranty will be void if the purchaser fails to observe the procedures for installation, operation or service of the product as set forth in the Operating Manual and Specifications for the product or if the defect is caused by tampering, physical abuse or misuse of the product.

Actaris specifically disclaims all implied warranties including those of merchantability or of fitness for a particular purpose. Under no circumstances will Actaris be liable for incidental or consequential damages of any kind whatsoever.

The liability for any claim of any kind, including negligence and breach of warranty for the sale and use of any product covered by or furnished, shall in no case exceed the price allocable to the product or part thereof which gives rise to the claim.

In the event of a malfunction of the product, consult your Actaris Service Representative or Actaris U.S. Gas, 970 Highway 127 North, Owenton, Kentucky 40359-9802.

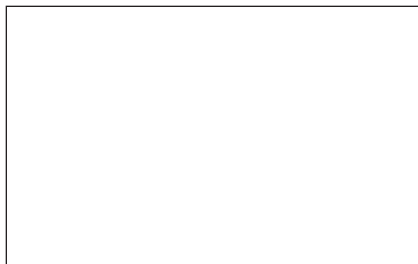
SAFETY NOTES:

- A. The maximum inlet pressure for this regulator is dependent upon the size of the orifice and model designation.
- B. When these models are used on liquid petroleum gases, they should be restricted to second-stage pressure reduction in the gaseous phase.

SAFETY WARNING:

This product, as of the date of manufacture, is designed and tested to conform to all governmental or industry safety standards then existing as may apply to the manufacturer. The purchaser and user of this product are warned that compliance with the manufacturer's instructions and procedures is required in order to avoid the hazards of leaking gas resulting from improper installation, start-up or use of this product, and further, that all area fire control, building codes or other safety regulations established under public laws which regulate or concern the application, installation, operation or general use of this product should be complied with. In order to insure the safe and proper operation of this product, the manufacturer recommends that this product be installed by a qualified installer.

Distributed by:



Istec Corporation

www.istec-corp.com
 Tel.: (973) 383-9888

Fax: (973) 383-9888

