

Any Rate, Total or Blending Application where Two Preset Alarms and Scaling are Required

ISTEC's 9503 / 9504 are General Purpose

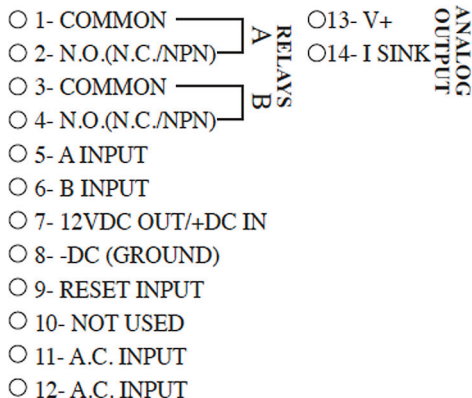
Displays that conditions the electrical signal generated by the flow meter and scales the resulting flow information into a flow rate and flow total display in the units of measure desired. Additional functionality such as alarms, analog output, pulse output, and serial communications may also be provided.

Our NEW NEMA 4X Enclosure assures long life in harsh environments.



VERSIONS

- #9503: Rate & Total
- #9504: Rate, Total & Analog Output
- #9503M: Rate, Total & Modbus RTU
- #9508: Dual Rate, Total & Analog Output (A-B)



SPECIFICATIONS

- **Power:** 110 VAC ± 15% or 12 to 15 VDC Standard
- **Display:** 6 digit, 0.55" High LED
- **Temperature Range:**
- **Operating:** +32°F (0°C) to +130 F (+54°C)
- **Storage:** -40 F (-40°C) to +200°F (93°C)
- **Signal Input:**
- High Impedance DC pulse input 4-30 VDC (high), Open or 0-1 VDC (low), 10 K Ω imp. 10 kHz max. speed. Accepts simultaneous inputs.
- **Approvals:** CSA File# LR91109-7, CE Compliant
- **Material:** VELOX®
- **Connection:** Terminal block supplied on counter
- **Programming:** Front Panel
- **Sealing:** NEMA 4X/IP66 Enclosure
- **Housing:** 7" x 5" x 5" (WxHxD)

SPECIFICATIONS ARE SUBJECT TO CHANGE WITHOUT NOTICE.