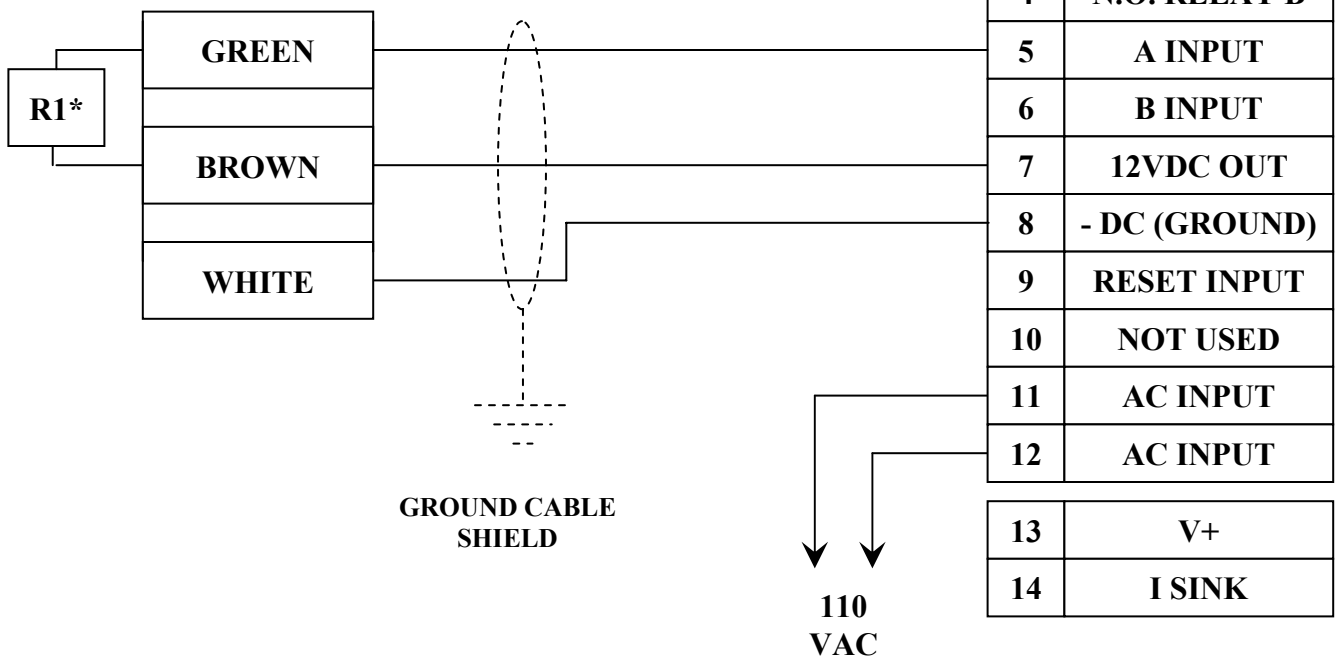


# 1703/1713 HALL EFFECT METER WIRING



## ISTEC MODEL 9503 & 9504

### 1703/1713 HALL EFFECT METER



**NOTES:**

USE 3-WIRE SHIELDED CABLE, BELDON 8770 OR EQUAL.

\*A 1.0KΩ/2W RESISTOR (R1) IS REQUIRED.



5 PARK LAKE ROAD, UNIT 6, SPARTA, NJ 07871  
 PHONE: (973) 383-9888 FAX: (973) 383-9088 [www.istec-corp.com](http://www.istec-corp.com)