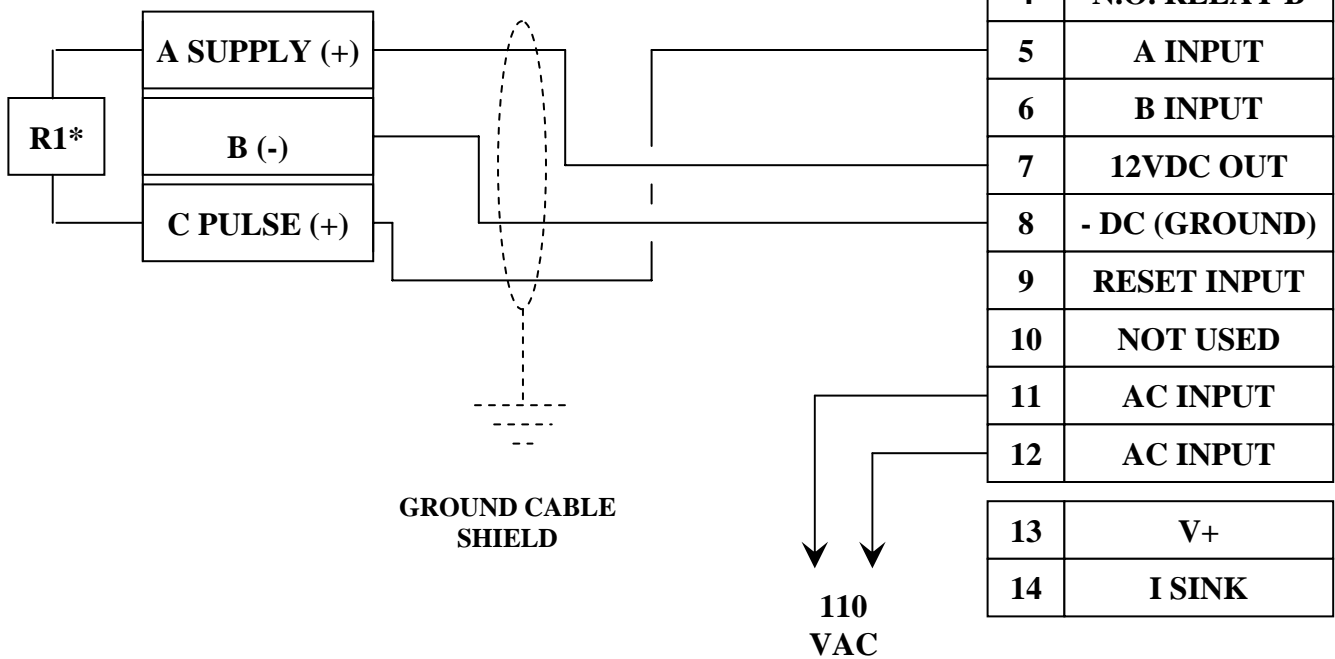


# DY SERIES VORTEX METER WIRING



**ISTEC MODEL  
9503 & 9504**

## DY SERIES VORTEX FLOW METER



**NOTES:**

**USE 3-WIRE SHIELDED CABLE, BELDON 8770 OR EQUAL.**

**\*A 1.0KΩ/2W RESISTOR (R1) MAY BE REQUIRED. INSTALL BETWEEN TERMINALS A & C (“+”) WHEN USING THE PULSE OUTPUT.**

